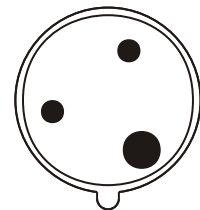
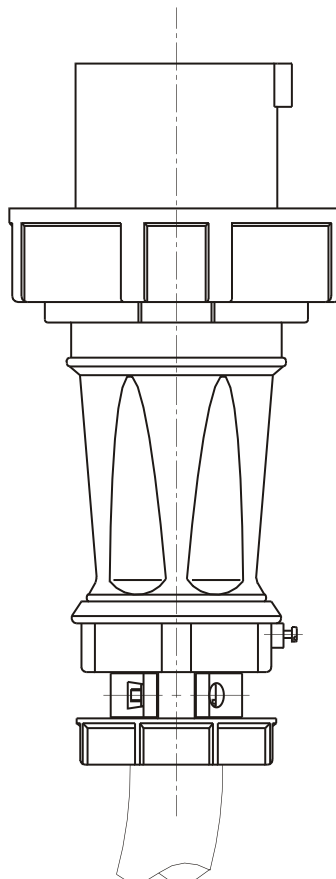
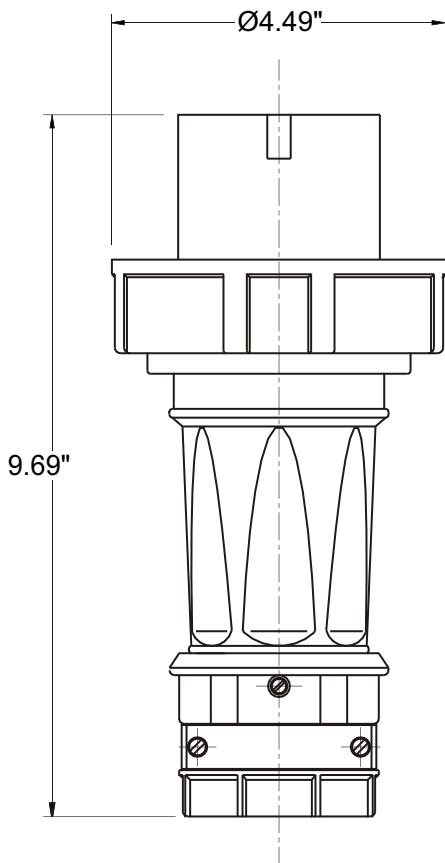


PLUG, IN-LINE

Part No.	ME 360P7W
Description:	60 Amp 480Vac 2 Pole, 3 Wire Plug
Construction:	Watertight IEC IP 67
Approvals:	UL Listed Standards 1682; 1686 CSA Certification to Spec. C22.2 No. 182.1 IEC 60309-1; IEC 60309-2

IEC COLOR CODE: Red

GROUND SOCKET: 5 Hour Position Mates with Female in 7 Hour Position.



Front View of Plug

Wire Range: #4 - #8 AWG
Cord Range: .57" - 1.42"
Threaded Cable Entry: 1 1/2" NPT

Drawing Not to Scale